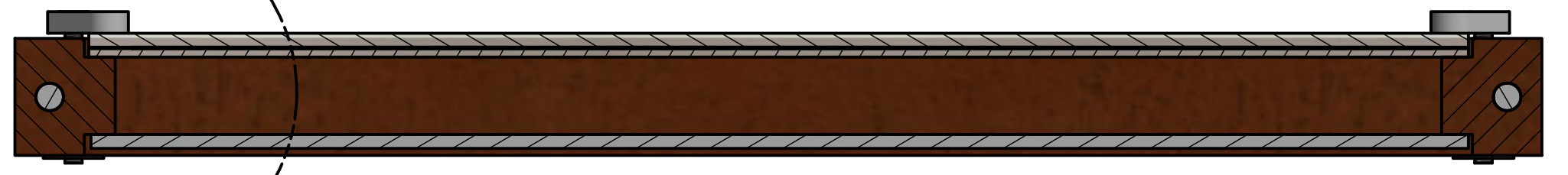
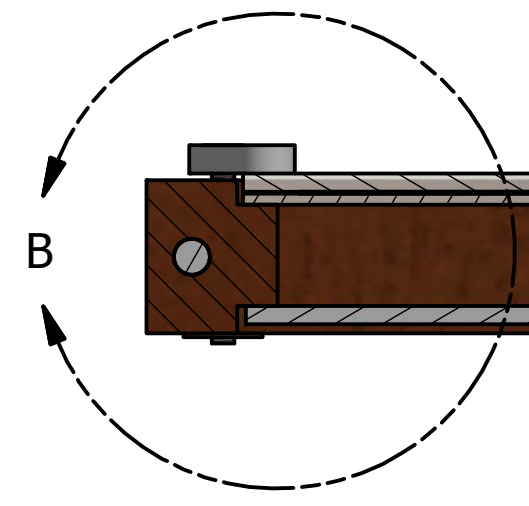
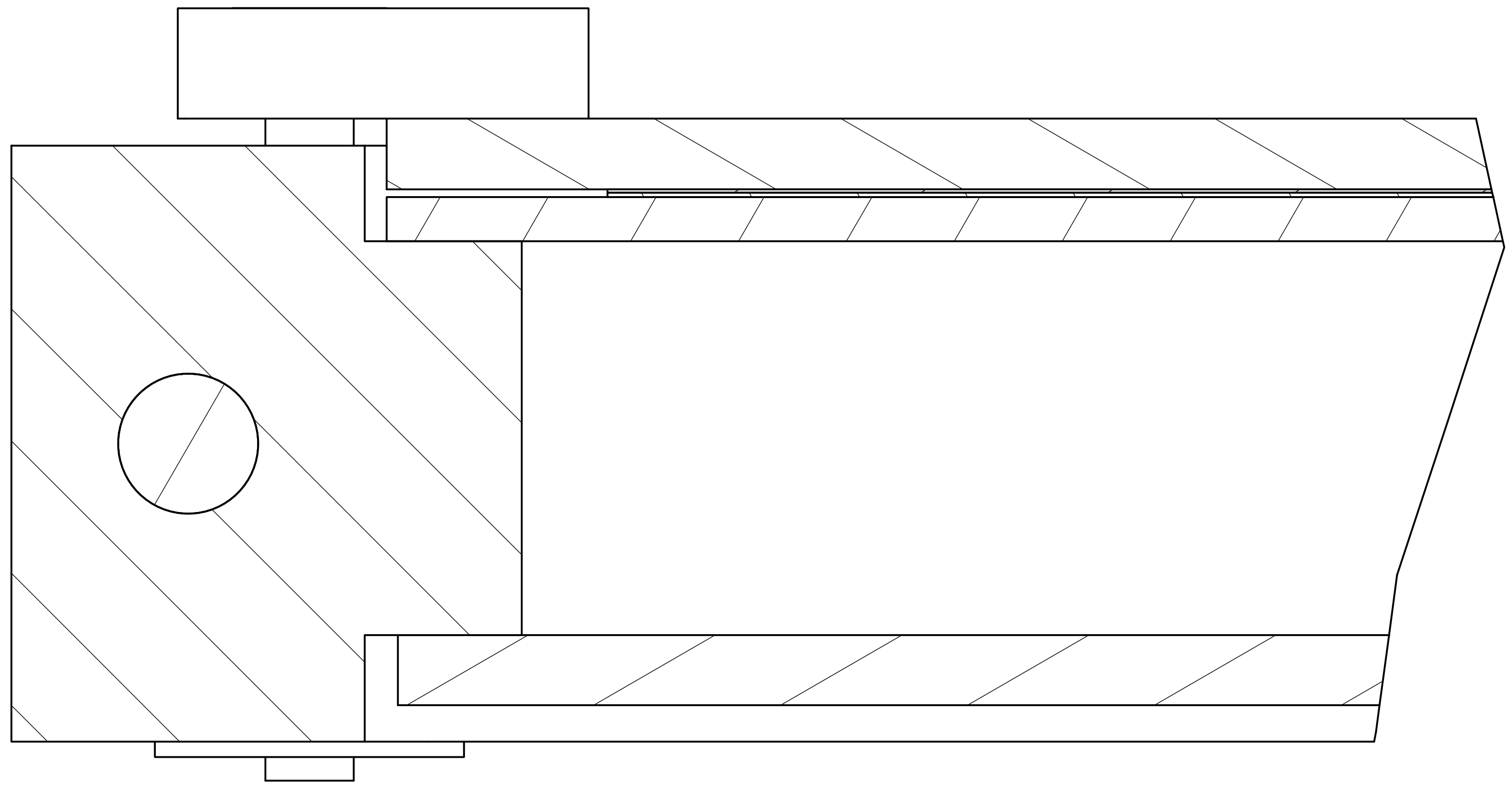


4 3 2 1

D C B A



SECTION A-A
SCALE 3 / 4



DETAIL B
SCALE 6 : 1

DRAWN Jim	7/29/2013	TITLE		
CHECKED				
QA				
MFG				
APPROVED		SIZE C	DWG NO	REV
		SCALE	Full Assembly Section	
			SHEET 1 OF 1	

4 3 2 1