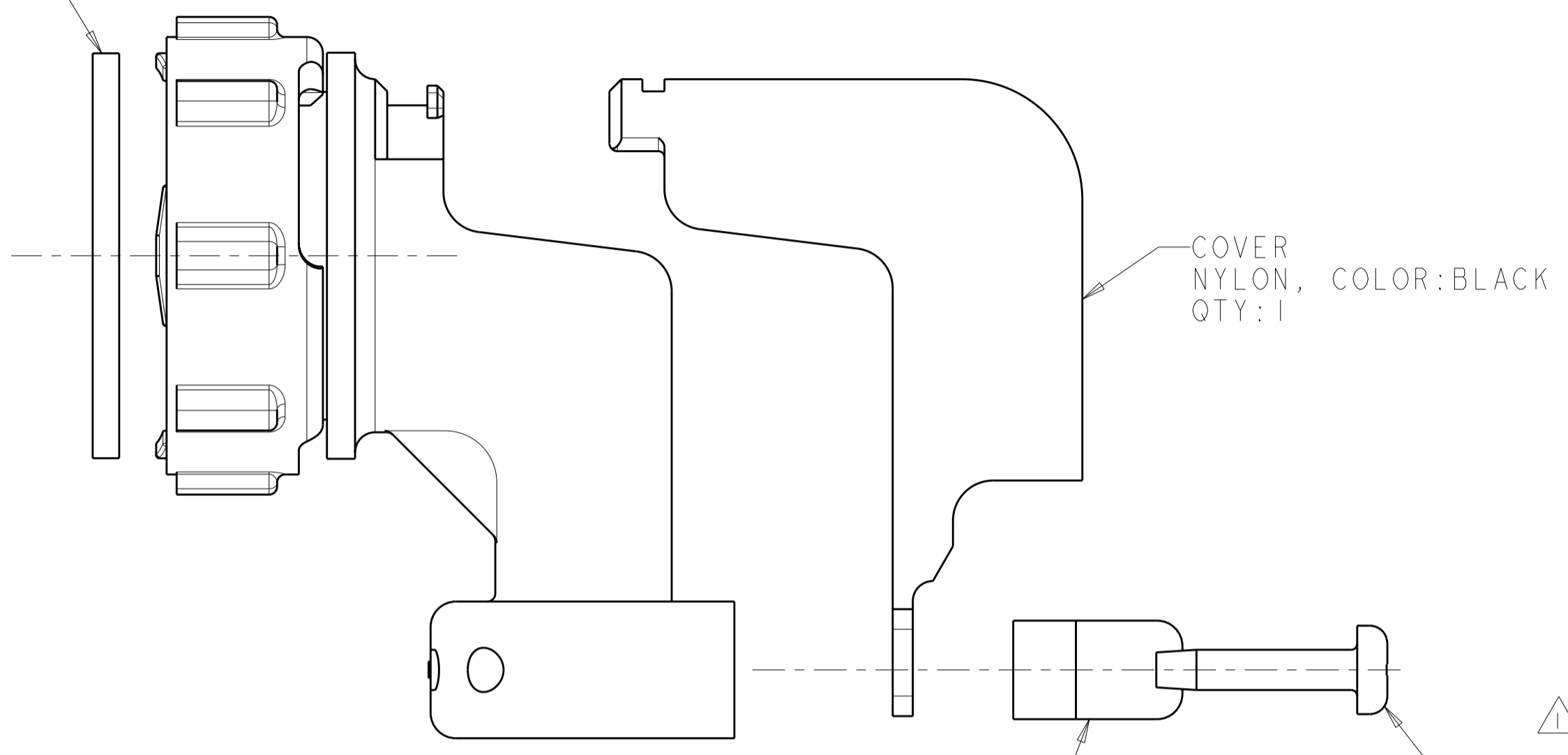
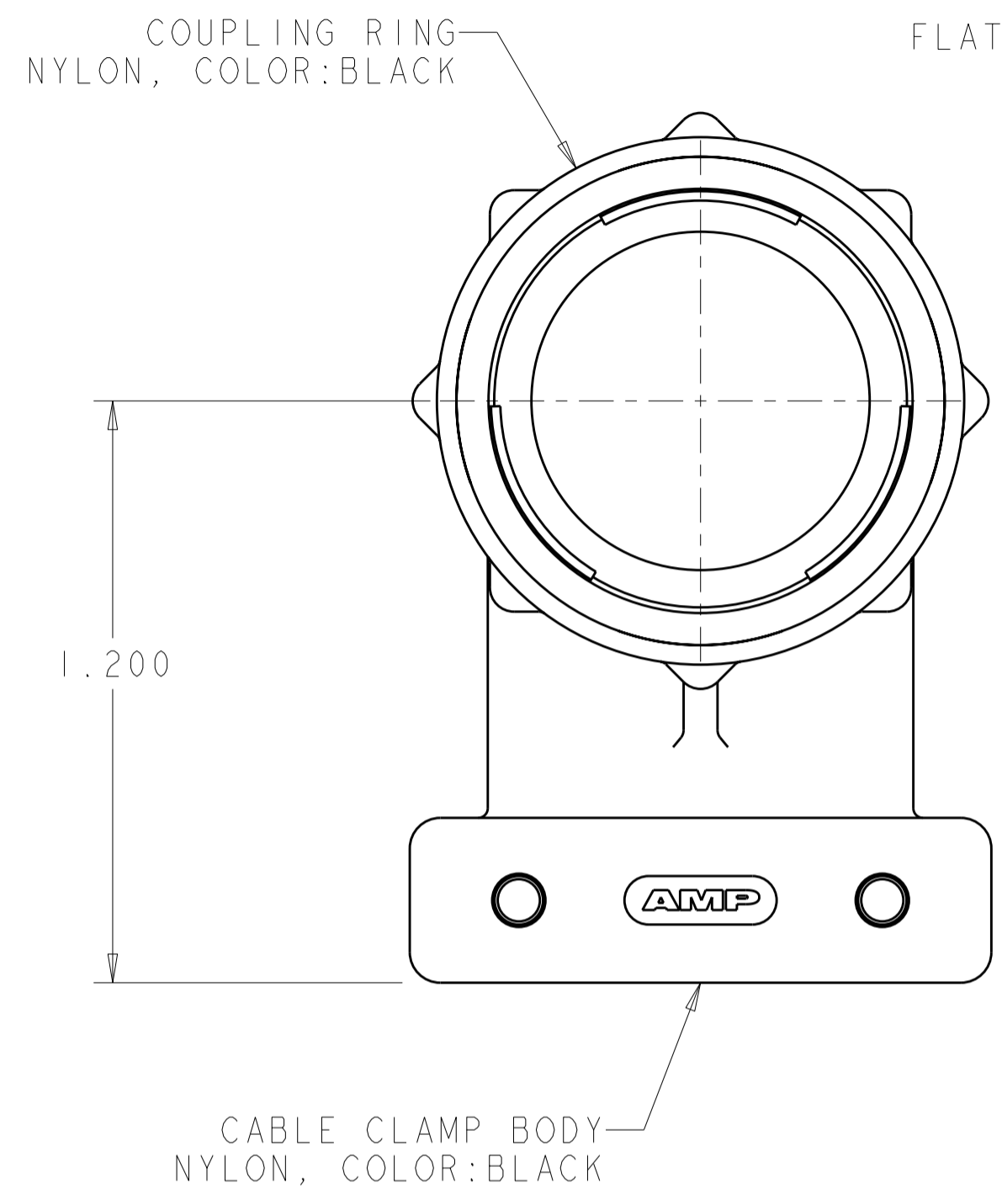
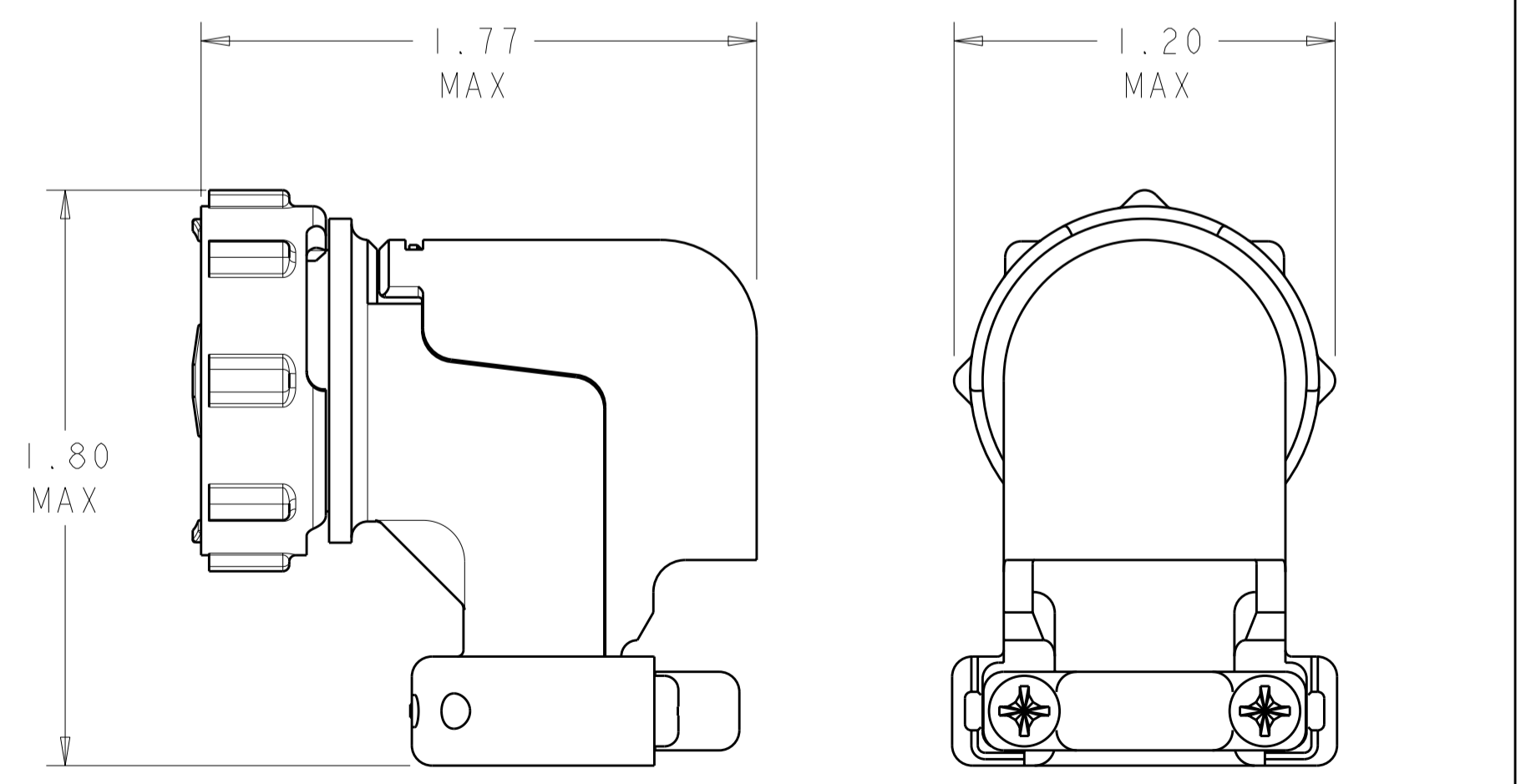


THIS DRAWING IS UNPUBLISHED. RELEASED FOR PUBLICATION
 © COPYRIGHT 20 BY - ALL RIGHTS RESERVED.

LOC	DIST	REVISIONS			
P	LTR	DESCRIPTION	DATE	DWN	APVD
FT	0				
		BI	REVISED PER ECO-11-004917	12MAR2011	RK HMR



① 5-20 SELF TAPPING SCREW
 MATERIAL: STEEL
 FINISH: ③
 QTY:2



ASSEMBLED VIEW
 SCALE 2:1

- ① SELF TAPPING SCREWS AND CABLE CLAMP INSERTS PACKAGED UNASSEMBLED.
- ② CLAMPING AREA ADJUSTABLE TO .453 O.D. MAX CABLE. CABLE CLAMP INSERTS CAN BE ADJUSTED BY INVERTING OR CHANGING CABLE CLAMP INSERT.
- ③ SCREW FINISH ZINC WITH NON HEXAVALENT CHROMATE.

1546349-2
 SUPERSEDED BY -2 1546349-1
 PART NUMBER

THIS DRAWING IS A CONTROLLED DOCUMENT.		DWN S.WELDON 13AUG2002	STE TE Connectivity	
DIMENSIONS: INCHES		CHK S.HEADER 13AUG2002		
TOLERANCES UNLESS OTHERWISE SPECIFIED:		APVD S.HEADER 13AUG2002	NAME CABLE CLAMP KIT, UNASSEMBLED, R/A, W/COVER, SIZE 17, CPC	
0 PLC ±	1 PLC ±	PRODUCT SPEC	SIZE A2	CAGE CODE 00779
2 PLC ±	3 PLC ±0.005	APPLICATION SPEC	DRAWING NO C-1546349	RESTRICTED TO
4 PLC ±	ANGLES ±	WEIGHT	SCALE 3:1	SHEET 1 OF 1
MATERIAL	FINISH	CUSTOMER DRAWING	REV BI	