

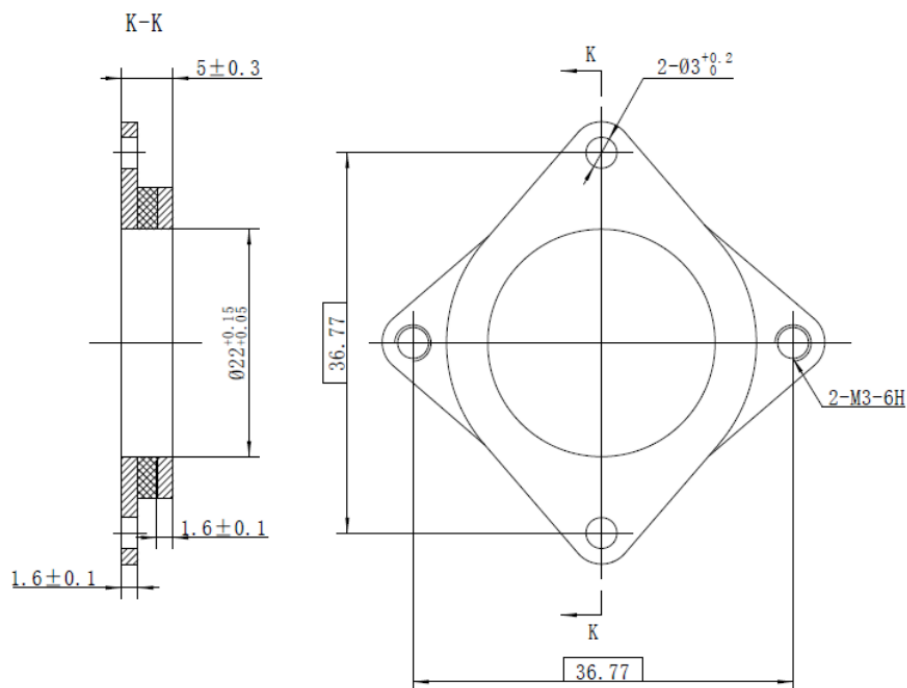
Dampers For Hybrid Stepper Motor

Mechanical dampers suppress stepper motor vibration and improve high-speed performance.

■ Product line

P/N	Suitable for motor series	Comments
4696325000016	□ 14	Without $\phi 22$ pilot flange
4696325000008	□ 16 \ □ 17	Without $\phi 22$ pilot flange
4696325000013	□ 16 \ □ 17	With $\phi 22$ pilot flange
4696325000014	□ 23 \ □ 24	

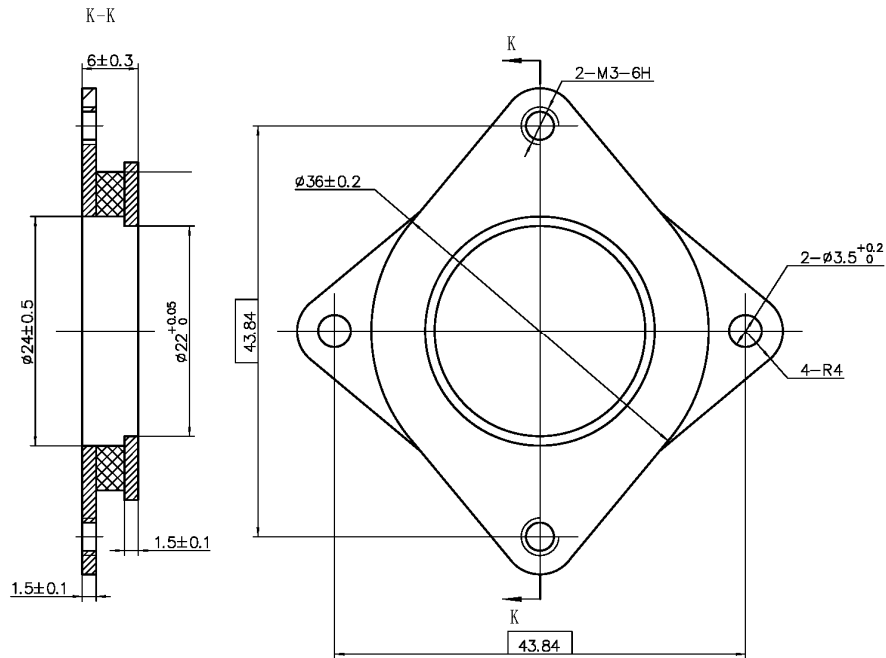
■ Mechanical Dimension



P/N 4696325000016

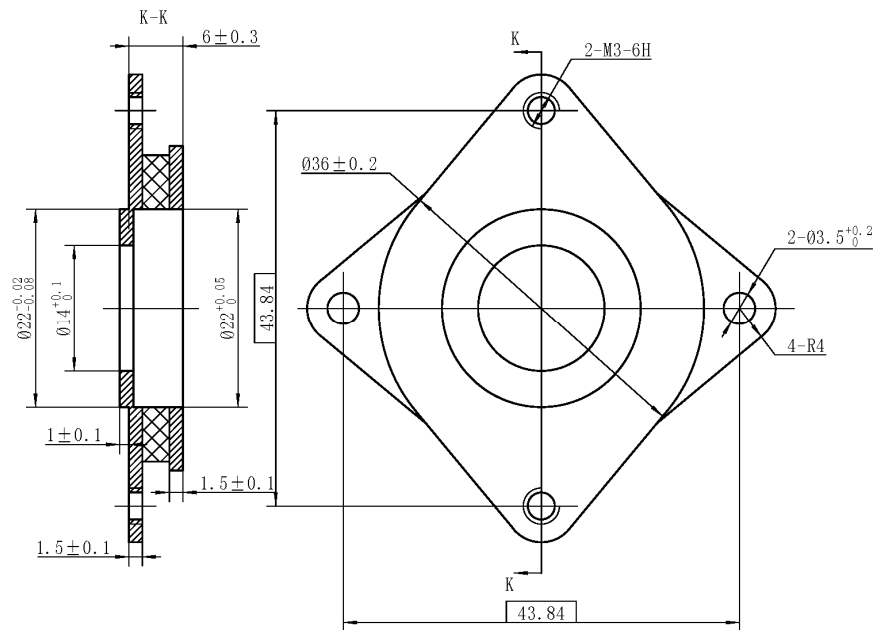
Suitable for NEMA14

Mechanical Dimension



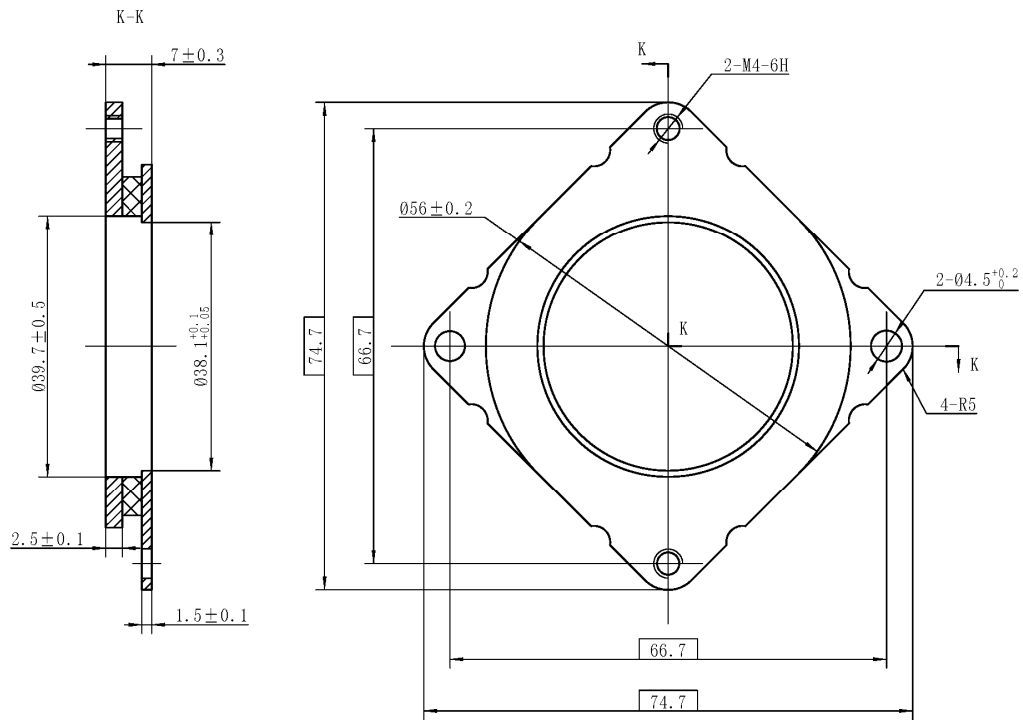
P/N 469632500008

Suitable for NEMA16, NEMA17



P/N 4696325000013

Suitable for NEMA16, NEMA17



P/N 4696325000014

Suitable for NEMA 23, NEMA 24