

F

E

D

C

B

A

4

4

3

3

2

2

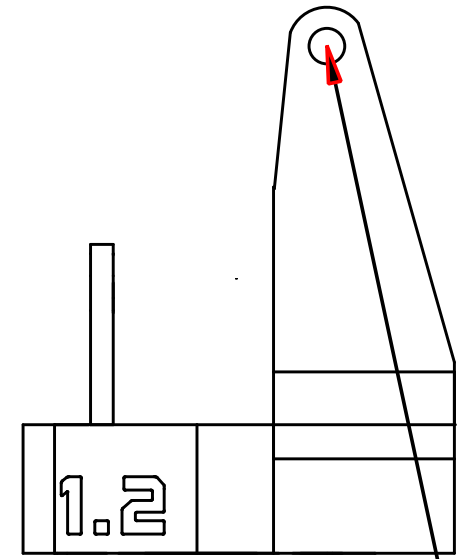
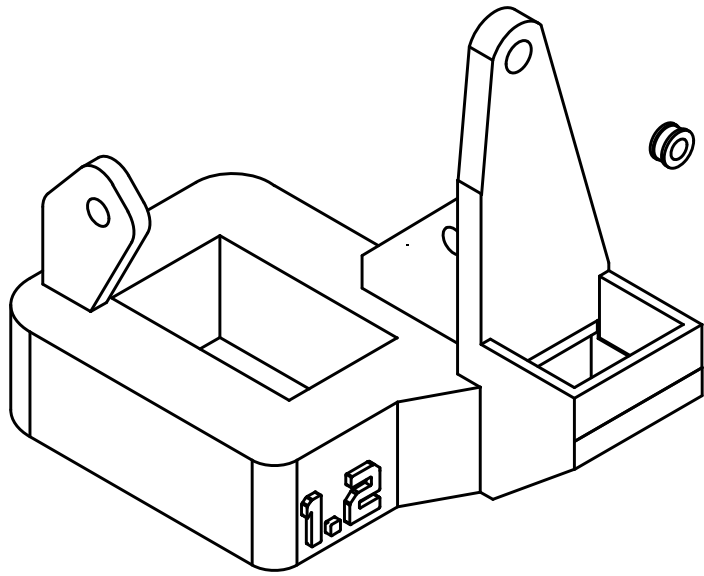
1

1

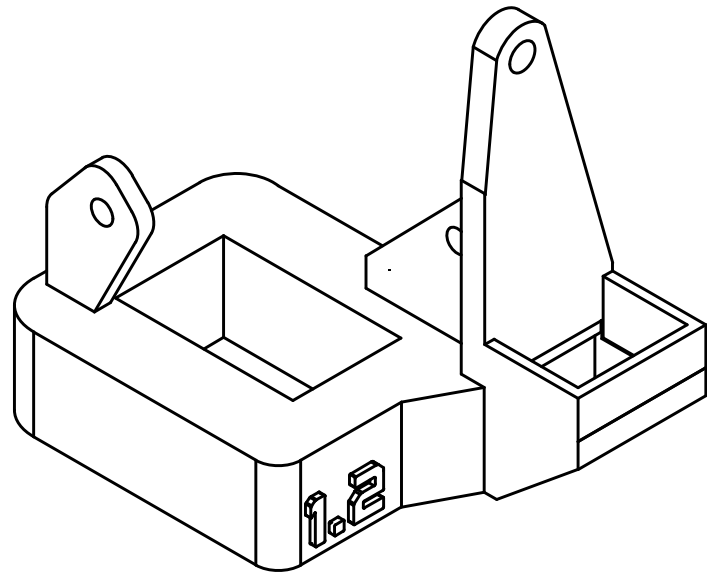
F


E

D



1X M3 Brass Insert [HD-MS0030]



DESIGNED BY: Tutley		Blower_duct_inserts		G	-
DATE: 3/9/18		Dingy Cutworm		F	-
SIZE A4				E	-
				D	-
SCALE 1:1	WEIGHT (kg) N/A	DRAWING NUMBER PP-IS0071	SHEET 1/1	C	-
				B	-
				A	X