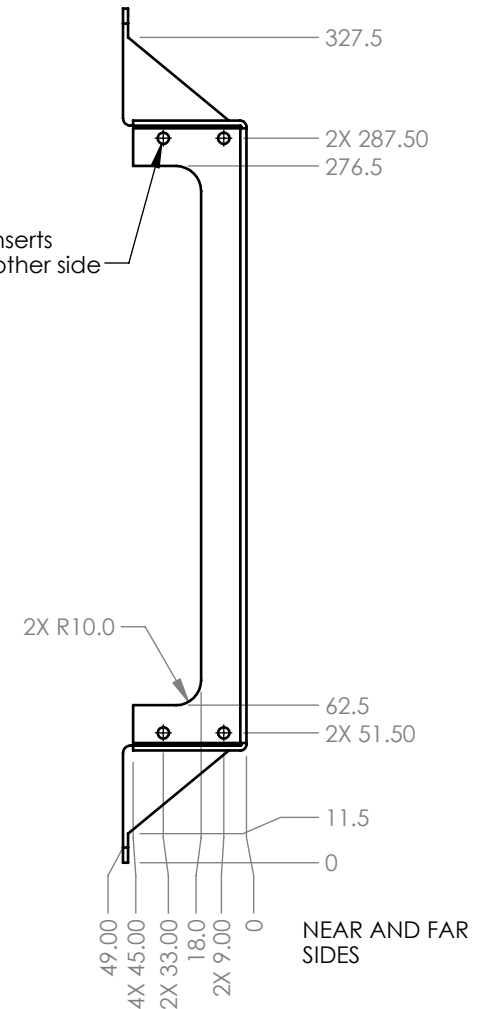


4X FEX-M3 Inserts
Install from other side



Notes:

1. Material: RoHS compliant 12AWG (.08") Aluminum
2. Break all sharp edges prior to powder coat.
3. Part is to be powder coated with Cardinal color C241-BK109. Mask all threads prior to coating.



DRAWN BY SINNEMA	7/18/14
MATERIAL See Notes	
UNLESS OTHERWISE SPECIFIED DIMENSIONS ARE IN MILLIMETERS. TOLERANCES ARE:	
DECIMALS .X ± .75 .XX ± .25 .XXX ± .125 .XXXX ± .050	ANGLES X° ± 1° 63
BREAK EDGES .005/.020 FILLET RADIUS .005/.020	



Sinnema Design Services

seth.sinnema@gmail.com
Phone: (303) 250-8218
Fax: 1-267-393-7872

TITLE

Bottom Plate, Mini

SIZE
A

DWG NO.

PP-FP0053

REV.
A

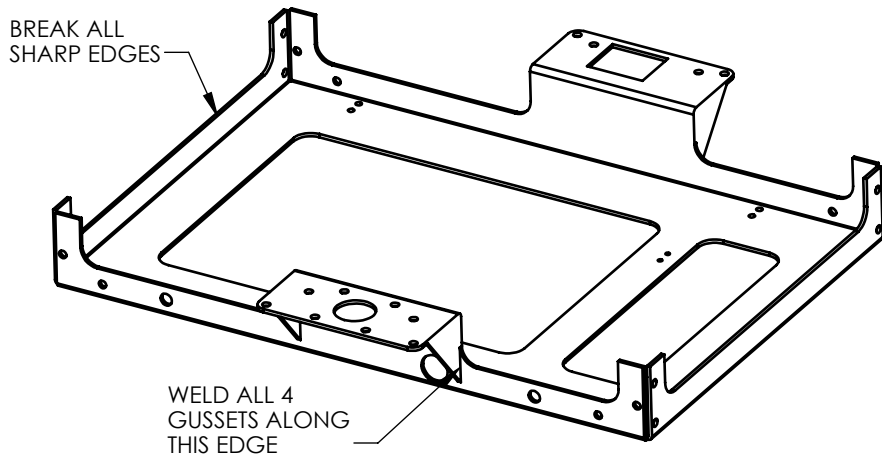
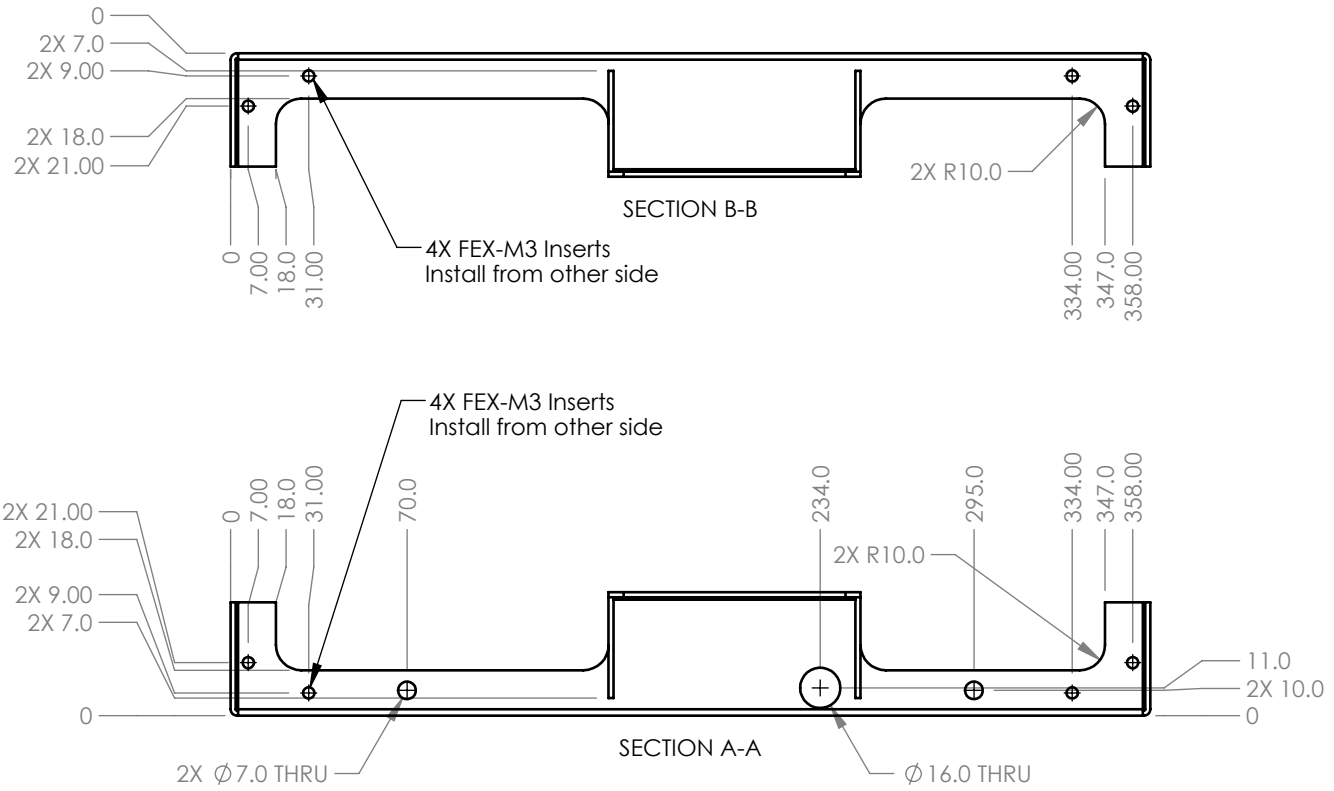
SCALE

1:3

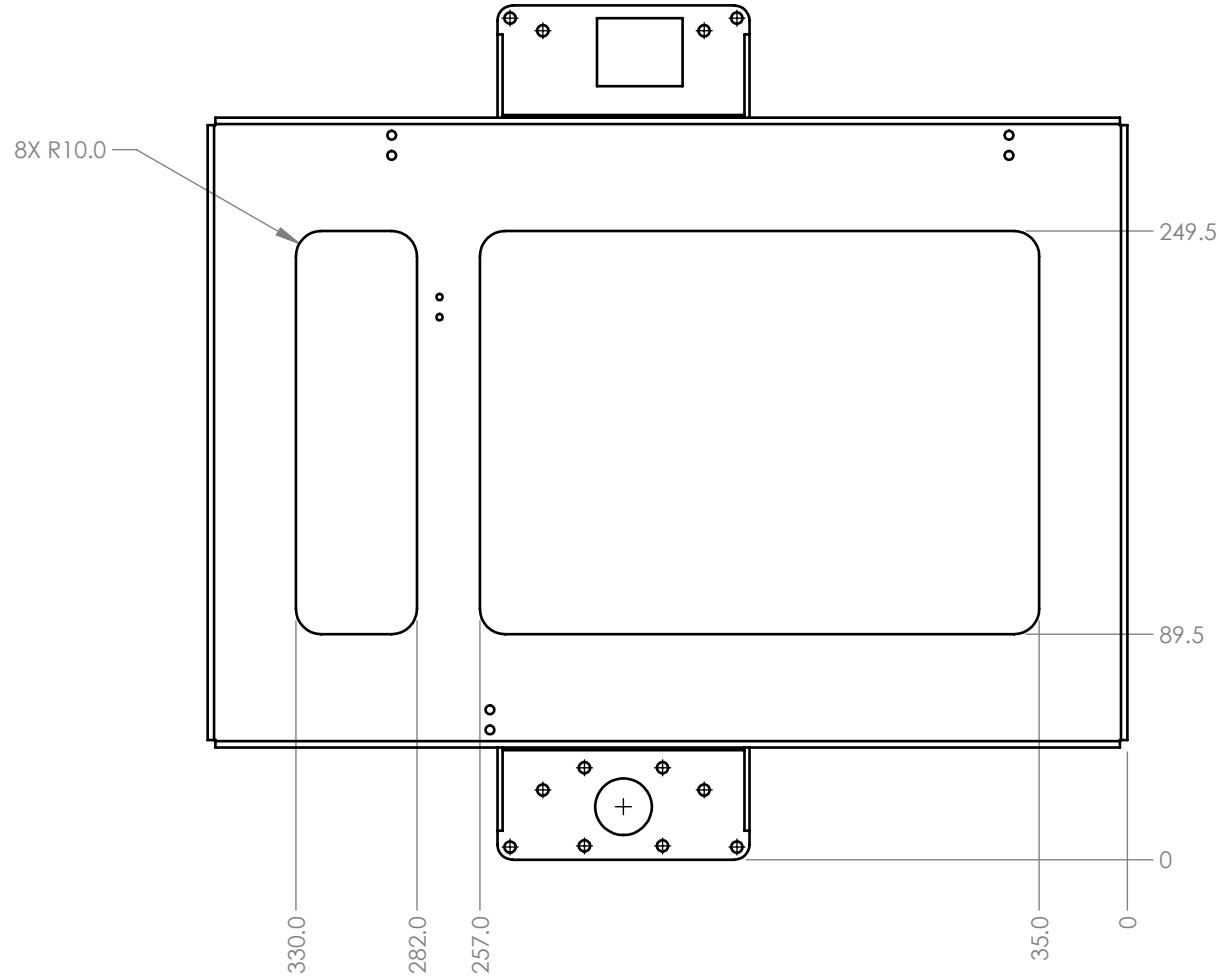
DO NOT SCALE DRAWING

SHEET

1 OF 3



TITLE		Bottom Plate, Mini	
SIZE A	DWG NO. PP-FP0053	REV. A	
SCALE 1:3	DO NOT SCALE DRAWING	SHEET 2 OF 3	



TITLE		Bottom Plate, Mini	
SIZE	DWG NO.		REV.
A	PP-FP0053		A
SCALE	1:3	DO NOT SCALE DRAWING	SHEET 3 OF 3