

Notes:

1. Material: RoHS compliant 12AWG (.08") Aluminum
2. Break all sharp edges prior to powder coat.
3. Part is to be powder coated with Cardinal color C241-BK109. Mask all threads prior to coating.

DRAWN BY
SINNEMA 7/18/14

MATERIAL
SEE NOTES

UNLESS OTHERWISE SPECIFIED
DIMENSIONS ARE IN MILLIMETERS.
TOLERANCES ARE:

DECIMALS	ANGLES
.X ± .75	X° ± 1°
.XX ± .25	
.XXX ± .125	
.XXXX ± .050	63

BREAK EDGES .005/.020
FILLET RADIUS .005/.020



Sinnema Design Services

seth.sinnema@gmail.com
Phone: (303) 250-8218
Fax: 1-267-393-7872

TITLE

Electronics Case, Mini

SIZE
A

DWG NO.

PP-FP0056

REV.
C

SCALE

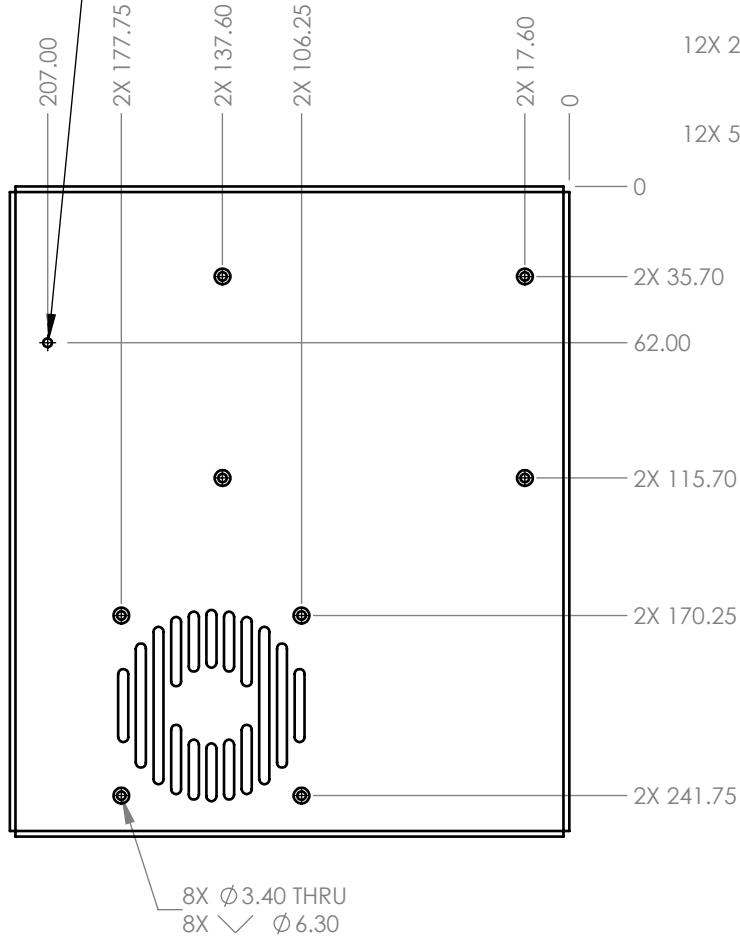
1:3

DO NOT SCALE DRAWING

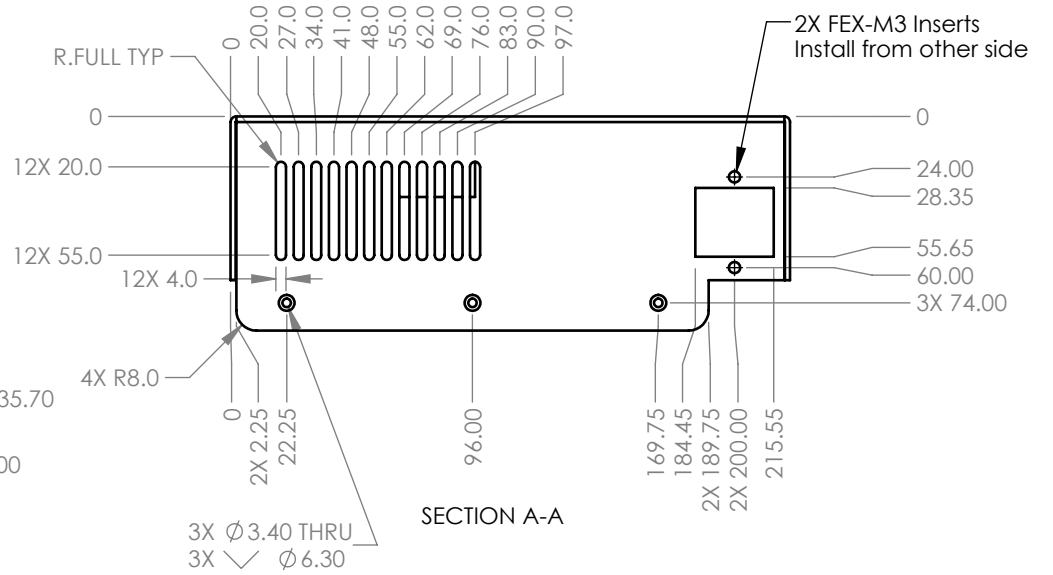
SHEET

1 OF 2

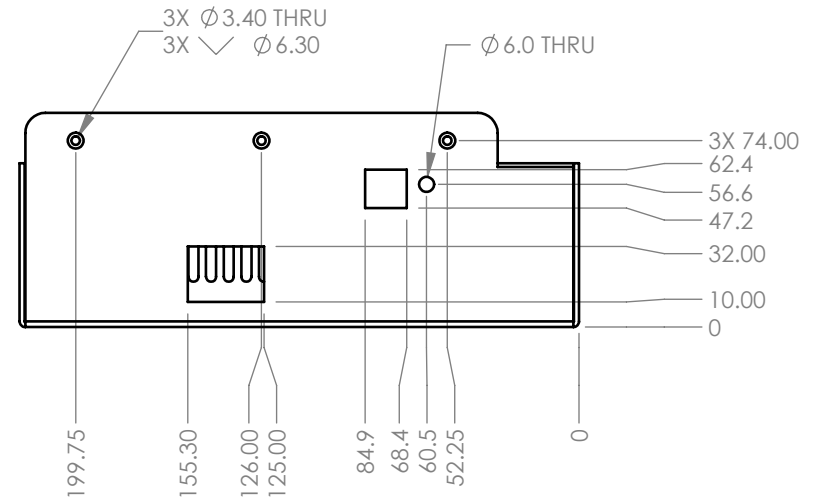
FH-M3-10ZI Insert
Install from this side



SECTION C-C



SECTION A-A



SECTION B-B

TITLE			
Electronics Case, Mini			
SIZE	DWG NO.		REV.
A	PP-FP0056		C
SCALE	1:3	DO NOT SCALE DRAWING	SHEET 2 OF 2